

Junior 18 construction lift

Smallest installation dimensions thanks to proven compact design

As the most compact lift in the series, the Junior 18 ensures effortless transportation of loads up to 250 kg. Thanks to its low weight and short transport length, the lift is easy to handle in tight spaces and only requires a footprint of 5.25 m². The endless swivel range allows it to be used on all four sides of the chassis.



The Junior 18 offers a wide range of equipment options, such as electro-hydraulic operation in the Basic and Comfort versions or the attachment of a knee joint and additional rail extensions for the construction version. Various load-handling devices are available depending on the application. The lift is powered either by a Honda petrol engine with a convenient e-start or emission-free via an electric motor. For powerful LED rear lights ensure road safety.

SPECIFICATIONS:

Permissible total weight (kg)	250
Payload (kg)	825
Permissible axle load (kg)	750
Permissible drawbar load (kg)	75
Extendable from - to (m)	18.2
Length of rail package (m)	4085
Average hoisting speed (m/min)	45
Total Length (mm)	4950
Total Width (mm)	1500
Total track width (mm)	540
Drive	E-motor / Petrol engine

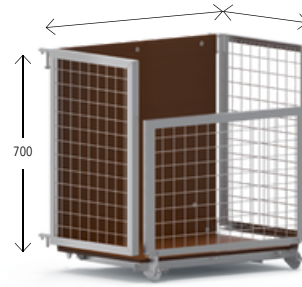
Accessories:



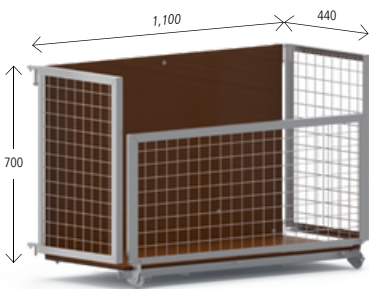
Furniture platform Basic, rotatable and extendable



Furniture platform Basic, extendable



Universal platform 700



Universal platform 1,100



Window platform*



Solar platform



Combined bucket



Knee joint**



Extension** 1 or 2 m

* Must be dismantled for road transportation!

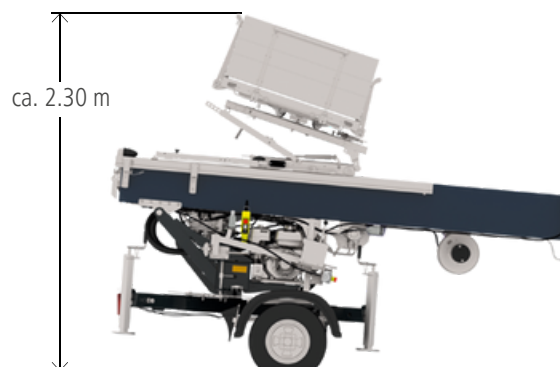
** Can only be combined with the construction version.

Examples:

Universal platform with carriage



Furniture platform with carriage



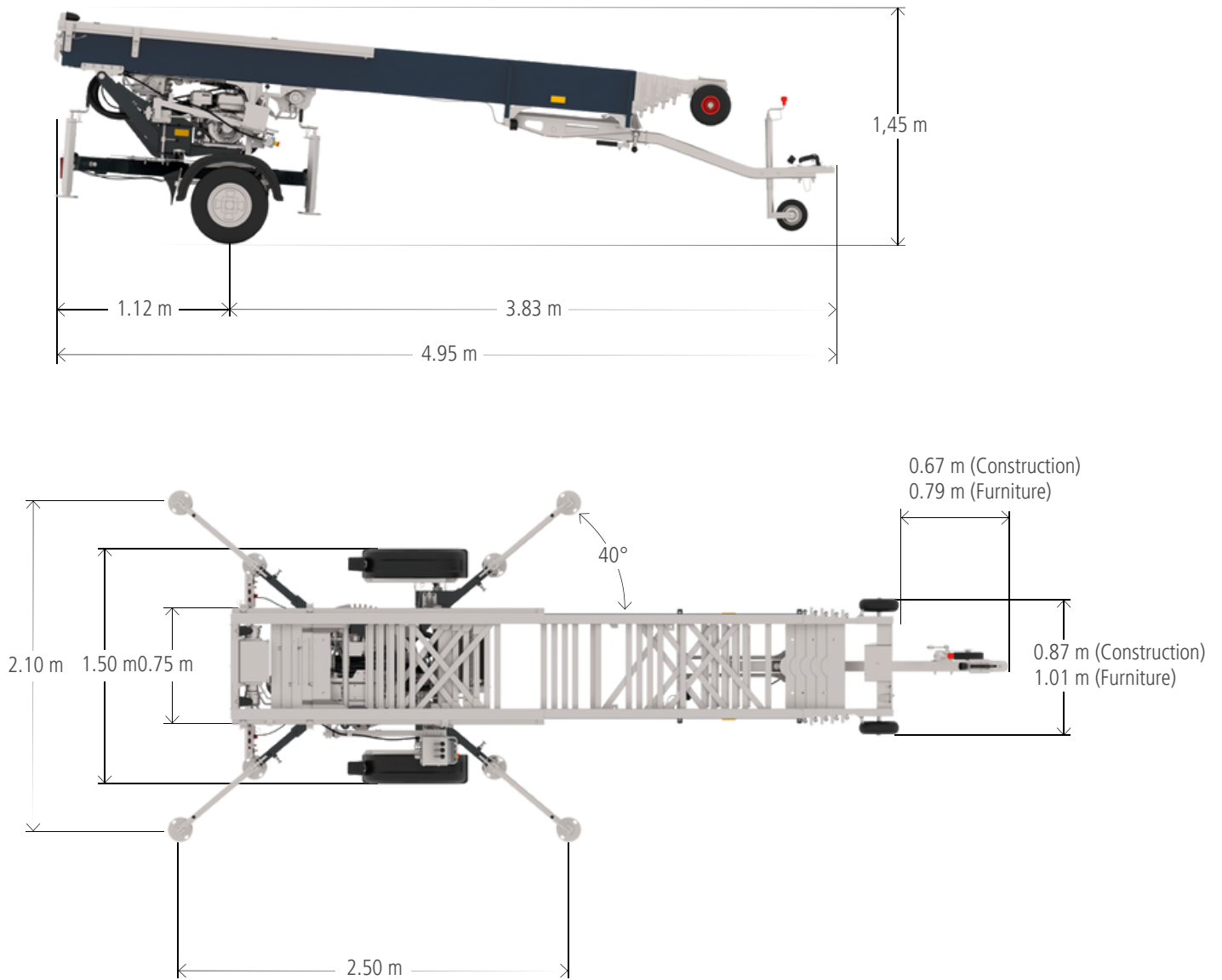
Rail packages:



Working area:



Dimensions:



Dimensions can fluctuate slightly.



072 430 7898



james@welift.co.za



welift.co.za