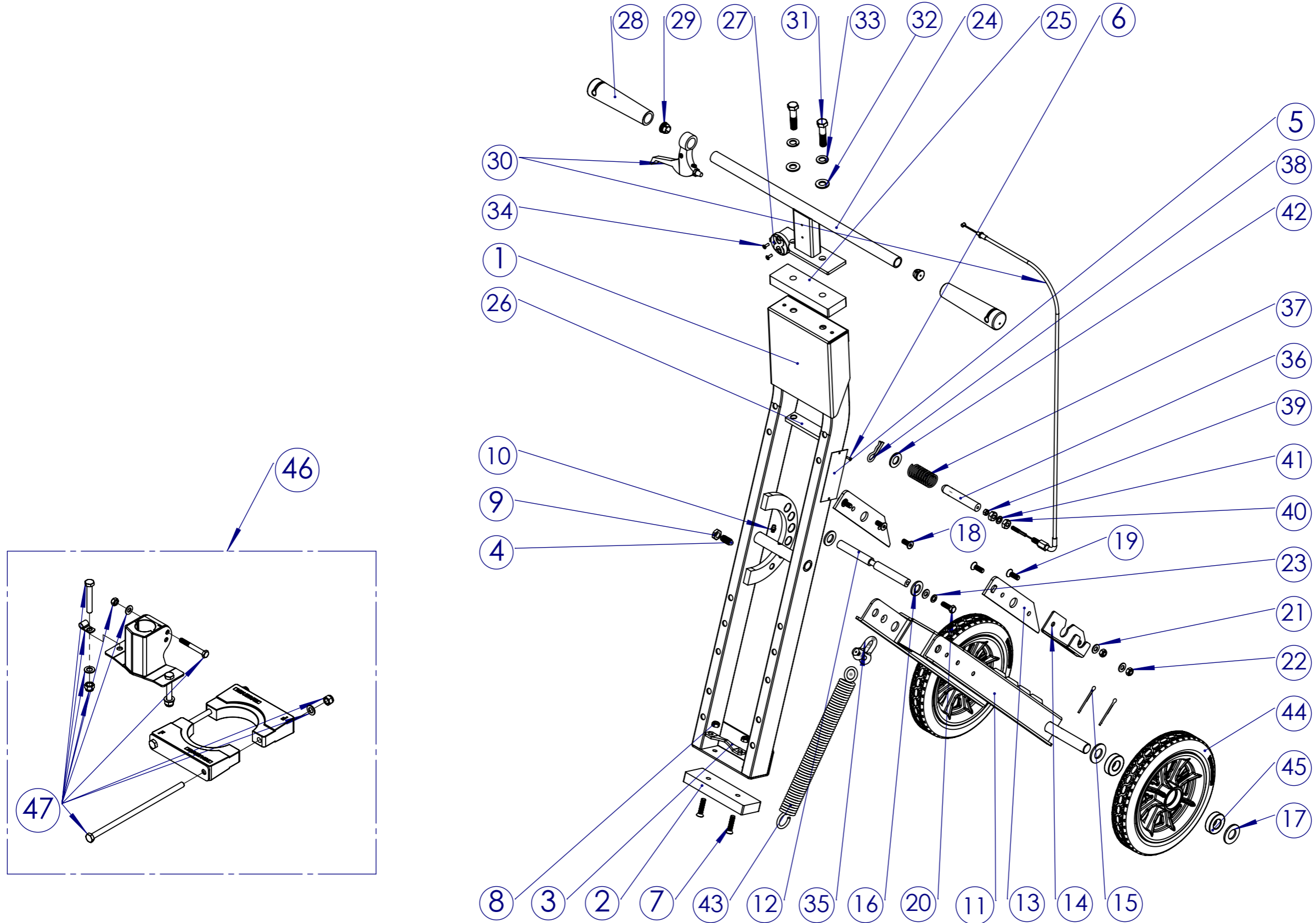


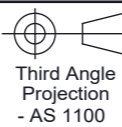
PRINT MAY BE REDUCED - DO NOT SCALE.



Sydney (Head Office) Ph: 1300 795 953
 15 Waltham St Fax: (02) 9439 9815
 Artarmon, 2064 www.makinex.com.au
 NSW, Australia sales@makinex.com.au

COPYRIGHT 2015 MAKINEX.
 WARNING: Copyright in this drawing remains the property of MAKINEX and copying in whole or part is not permitted without the written authority of the copyright owner.

GENERAL TOLERANCES
 (Unless otherwise noted)
 0-100mm: ± 0.25 mm
 100mm - 500mm: ± 0.5 mm
 500mm +: ± 1.0 mm
 Angular: ± 1 deg.



DATE: 20-Apr-18

SCALE: D.N.S A3

All Dimensions are in Millimetres
 Break All Sharp Corners and
 Remove Burrs & Swarf



PROJECT:

ITEM NO.

JHT-H

NOTES:

ITEM DESCRIPTION

JACK HAMMER TROLLEY HILTI

MATERIAL

SEE PARTS

FINISH

SEE PARTS

DRN: RT

MASS

REV

03

SHEET 1 OF 3

PRINTED: 20-Apr-18

ITEM NO.	PART NO.	PART NAME	QTY
1	JHT-03-00	MAIN FRAME WELDMENT	1
2	JHT-02-01	RESTING BLOCK	1
3	JHT-02-02	SPRING BRACKET	1
4	JHT-99-21	M12 SPRING PLUNGER	1
5	JHT-99-12	CE PLATE	1
6	MAK-UP-529	M3X10 BLIND RIVET (ALUMINIUM)	2
7	MAK-UP-530	M8X35 CSK BOLT Z/P	2
8	MAK-UP-511	M8 NYLOC NUT	2
9	MAK-UP-531	M12x1.5 HEX HALF NUT	1
10	JHT-99-13	GREASE NIPPLE	1
11	JHT-05-00	BASE FRAME WELDMENT	1
12	JHT-04-01	PIVOT AXLE	1
13	JHT-04-02	BOLT HOLDER	2
14	JHT-04-21	CABLE PROTECTOR	1
15	JHT-99-42	COTTER SPLIT PIN	1
16	MAK-UP-08	NYLON WASHER 16mm	2
17	MAK-UP-06	NYLON WASHER 20mm	4
18	MAK-UP-532	M8X20 CSK BOLT Z/P	2
19	MAK-UP-533	M8X25 CSK BOLT Z/P	2
20	MAK-UP-534	M8X25 HEX BOLT Z/P	2
21	MAK-UP-535	M8 FLAT WASHER (MEDIUM)	6
22	MAK-UP-511	M8 NYLOC NUT	4
23	MAK-UP-516	M8 SPRING WASHER	2
24	JHT-07-00	HANDLE FRAME WELDMENT	1
25	JHT-06-01	HANDLE BUFFER	1
26	JHT-06-02	HANDLE NUTBAR	1
27	JHT-06-03	CABLE CLIP	1
28	MAK-UP-10	RUBBER HANDLE GRIPS WITH CABLE HOLDER	2
29	JHT-99-62	HANDLE END PLUG	2
30	JHT-99-63	BRAKE LEVER & CABLE SET	1
31	MAK-UP-536	M12X50 HEX BOLT Z/P	2
32	MAK-UP-537	M12 FLAT WASHER (MEDIUM)	2
33	MAK-UP-538	M12 SPRING WASHER	2
34	MAK-UP-539	M4X12 CSK PH BOLT Z/P	2

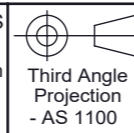
ITEM NO.	PART NO.	PART NAME	QTY
35	JHT-99-17	10MM DIA ANCHOR SHACKLE-1T	1
36	JHT-08-02	LOWERING PIN	1
37	JHT-08-03	SMALL SPRING	1
38	JHT-99-81	R-CLIP	1
39	MAK-UP-507	M6 HEX NUT	1
40	MAK-UP-517	M8 HEX NUT	2
41	MAK-UP-516	M8 SPRING WASHER	1
42	MAK-UP-540	M16 FLAT WASHER (MEDIUM)	1
43	JHT-01-01	TENSION SPRING	1
44	MAK-UP-00	MAKINEX WHEEL 250MM	2
45	MAK-UP-03	NYLON BUSH 20mm	4
46	JHTB-H	JHT BLOCKSET-HILTI	1
47	JHT-09-18	HILTI BLOCK SET FASTENERS	1



Sydney (Head Office) Ph: 1300 795 953
 15 Waltham St Fax: (02) 9439 9815
 Artarmon, 2064 www.makinex.com.au
 NSW, Australia sales@makinex.com.au

COPYRIGHT 2015 MAKINEX.
 WARNING: Copyright in this drawing remains the property of MAKINEX and copying in whole or part is not permitted without the written authority of the copyright owner.

GENERAL TOLERANCES
 (Unless otherwise noted)
 0-100mm: ± 0.25 mm
 100mm - 500mm: ± 0.5 mm
 500mm +: ± 1.0 mm
 Angular: ± 1 deg.



DATE: 20-Apr-18

SCALE: D.N.S A3

All Dimensions are in Millimetres
 Break All Sharp Corners and
 Remove Burrs & Swarf



PROJECT:

ITEM NO.	ITEM DESCRIPTION	MATERIAL	FINISH	MASS	REV
JHT-H	JACK HAMMER TROLLEY HILTI	SEE PARTS	SEE PARTS		03

NOTES:

DRN: RT

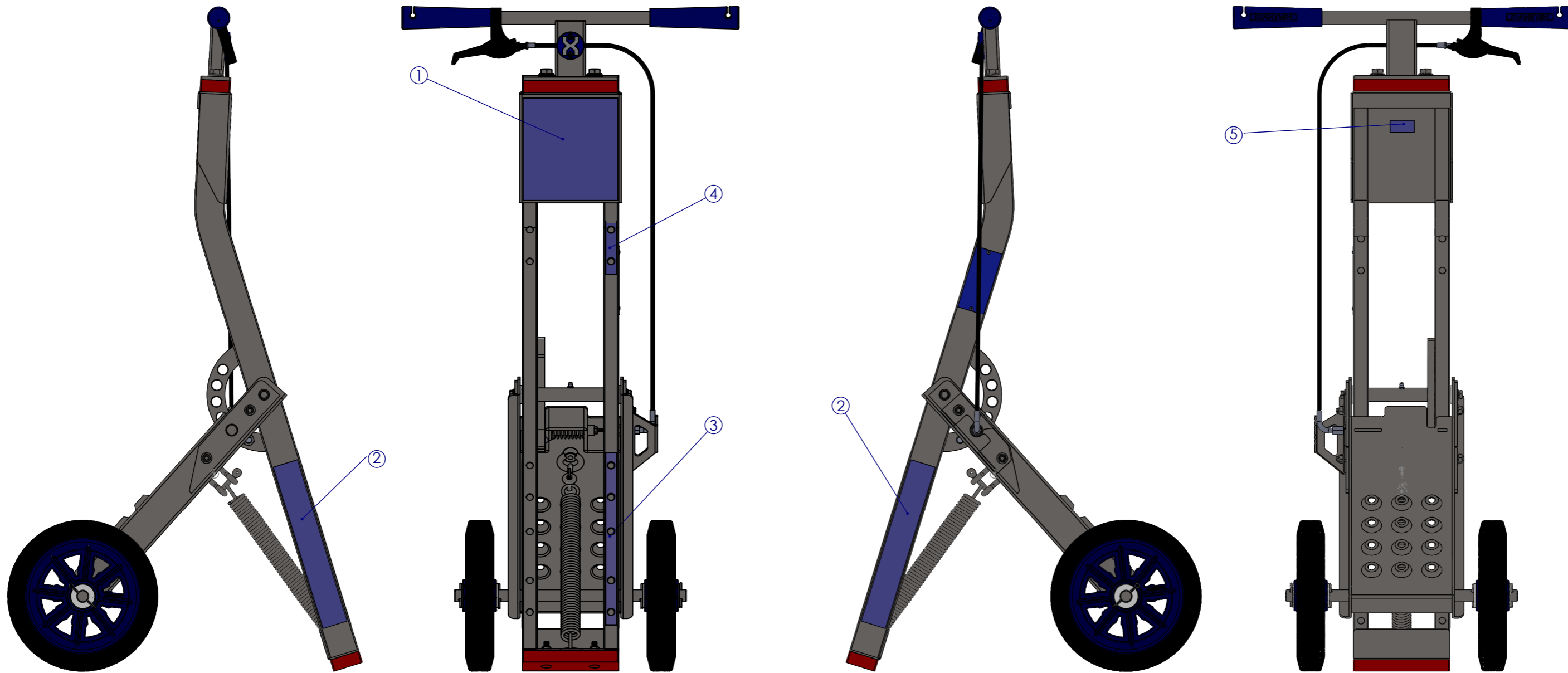
MASS REV

SEE PARTS SEE PARTS

SHEET 2 OF 3

PRINT MAY BE REDUCED - DO NOT SCALE.

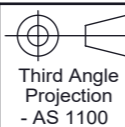
ITEM NO.	PART NO.	PART NAME	QTY
-	JHT-99-11-00	DECAL SET	1
1	JHT-99-11-01	STICKER - INSTRUCTION	1
2	MAK-UP-12	STICKER - MAKINEX LARGE	2
3	JHT-99-11-04	STICKER - UNIVERSAL BLOCK POSITION	1
4	JHT-99-11-05	STICKER - HILTI BLOCK POSITION	1
5	MAK-UP-15	STICKER - MAKINEX SERIAL	1



Sydney (Head Office) Ph: 1300 795 953
 15 Waltham St Fax: (02) 9439 9815
 Artarmon, 2064 www.makinex.com.au
 NSW, Australia sales@makinex.com.au

COPYRIGHT 2015 MAKINEX.
 WARNING: Copyright in this drawing remains the property of MAKINEX and copying in whole or part is not permitted without the written authority of the copyright owner.

GENERAL TOLERANCES
 (Unless otherwise noted)
 0-100mm: ± 0.25 mm
 100mm - 500mm: ± 0.5 mm
 500mm +: ± 1.0 mm
 Angular: ± 1 deg.



DATE: 20-Apr-18

SCALE: D.N.S A3

All Dimensions are in Millimetres
 Break All Sharp Corners and
 Remove Burrs & Swarf



PROJECT:

ITEM NO.

JHT-H

NOTES:

ITEM DESCRIPTION

JACK HAMMER TROLLEY HILTI

MATERIAL

SEE PARTS

FINISH

SEE PARTS

DRN: RT

MASS

03

REV

SHEET 3 OF 3